

auto electrical parts

Technical Information Sheet

Part No. 0-525-10

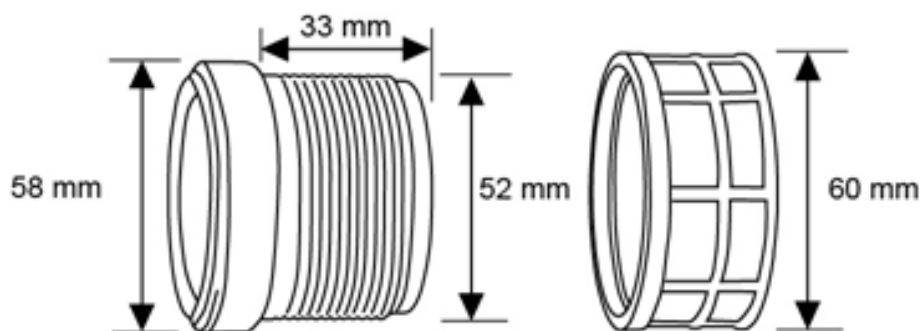
12/24 volt tachometer, 270° sweep dial, 0-4000rpm. Adjustable for alternator pick-up, negative earth vehicles. LED illumination, plastic cased with screw collar type fitting.

Additional Information

Illumination white.



Technical Drawing (not to scale)



Specification

Type	Panel mount marine tachometer
Voltage	12/24 volt DC
Scale	240° sweep, 0 - 4000rpm
Sensing	Alternator
Illumination	4 LED white
Cable length	420mm
Panel Cut out	52mm
Max panel depth	9mm
Protection	IP65 (front)
Weight	170g
Dimensions	See diagram

The information contained in this document is correct to the best of our knowledge at the time of printing. However, specifications may change at any time without notice.